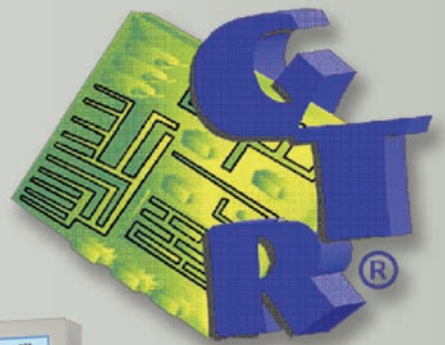


Introducing the New GTR®

— COMPACT — VET SYSTEM

GTR® offers the latest in complete radiographic x-ray systems for veterinary applications. Utilizing the GTR® INTELLIGEN® High Frequency X-ray Generator with the VET APR Console, the COMPACT VET SYSTEM allows the maximum flexibility both for your budget and your application.



**Light Weight
Compact
Easy to Install**

Install a complete system in less than 4 hours.
 Light weight structural aluminum tubing design.
 Less than 1/2 weight of conventional system:
 600 lb Net, 700 lb Gross Shipping



VET APR CONSOLE

Designed for small animal veterinarians, GTR's innovative new **Compact Vet System** allows for maximum imaging coverage when only a limited installation space is available.

HIGH FREQUENCY

X-RAY GENERATORS: Fully tested with a 5 year Warranty

I-325 20 KW 300MA, 125 KVP

I-425 30 KW 400MA, 125 KVP

VET APR CONSOLE

2 POSITION FOOTSWITCH FOR PREP & EXPOSE

TABLES: Table factory assembled with grid cabinet, stainless steel tray and 103 line, 10:1 grid, 31" Longitudinal Travel of grid cabinet

COMPACT VET INTEGRATED TABLE/TUBE STAND

TABLE IS STANDARD WITH A FIXED TOP 60"x28" HEIGHT 33"

OPTIONAL TABLE TOP LENGTHS: 48" OR 40"

STANDARD TABLE BASE: 59" x 27"

X-RAY TUBE SUPPORTS: Floor Mounted Tube Stand is integrated to the table and attached to the grid cabinet. Electromagnetic Locks on all movements

COMPACT VET INTEGRATED TABLE/TUBE STAND

TUBE COLUMN HEIGHT: 75"

LONGITUDINAL TRAVEL: 31"

SOURCE TO IMAGE DISTANCE: 40" FIXED

X-RAY TUBES:

TOSHIBA E7239X 1.0/2.0 FOCAL SPOTS, 140 KHU

TOSHIBA E7242X 0.6/1.5 FOCAL SPOTS, 200 KHU

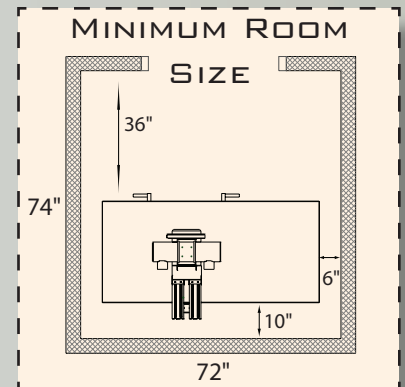
COLLIMATOR:

EUREKA LINEAR MC150 NC MANUAL COLLIMATOR FOR OPTIMUM PROTECTION AND EASY USE



Available in 60", 48", or 40" Table Lengths

40" x 28" Table Top shown here



Your Dealer:

GTR® Labs, Inc.

510 Elk St.
 Gassaway, WV 26624

Phone: 304-364-2211
 Fax: 304-364-2212

gtr@gtrllc.com
 www.gtrllc.com